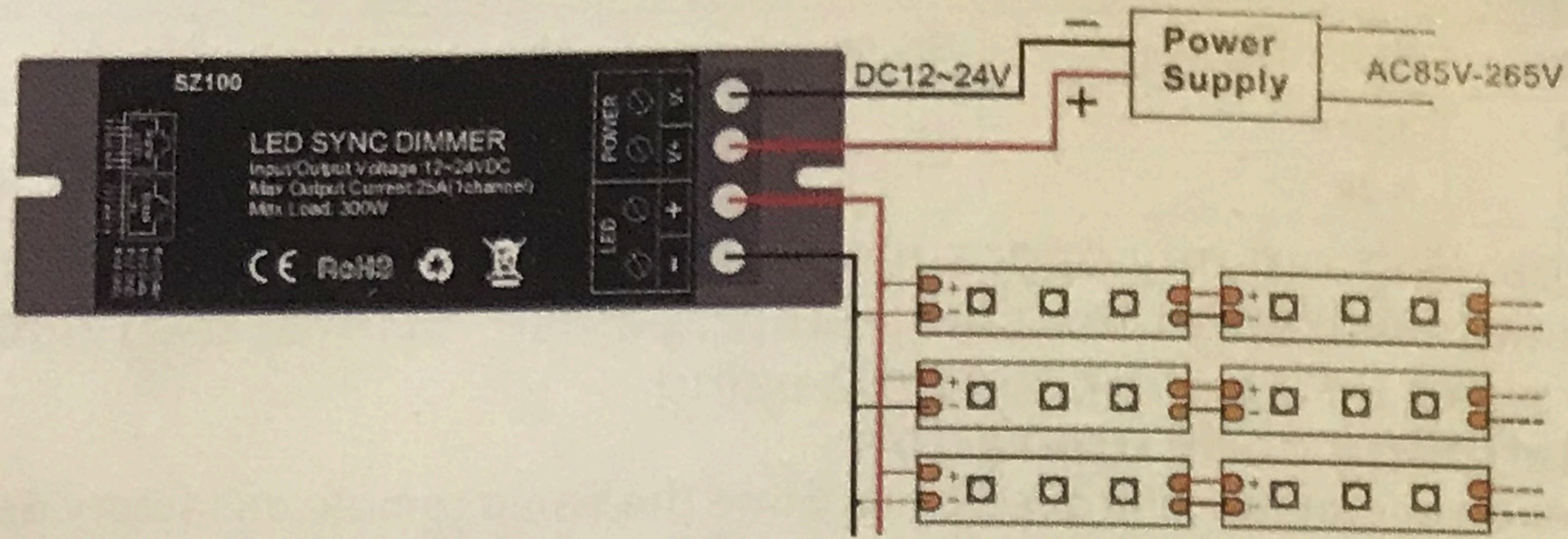
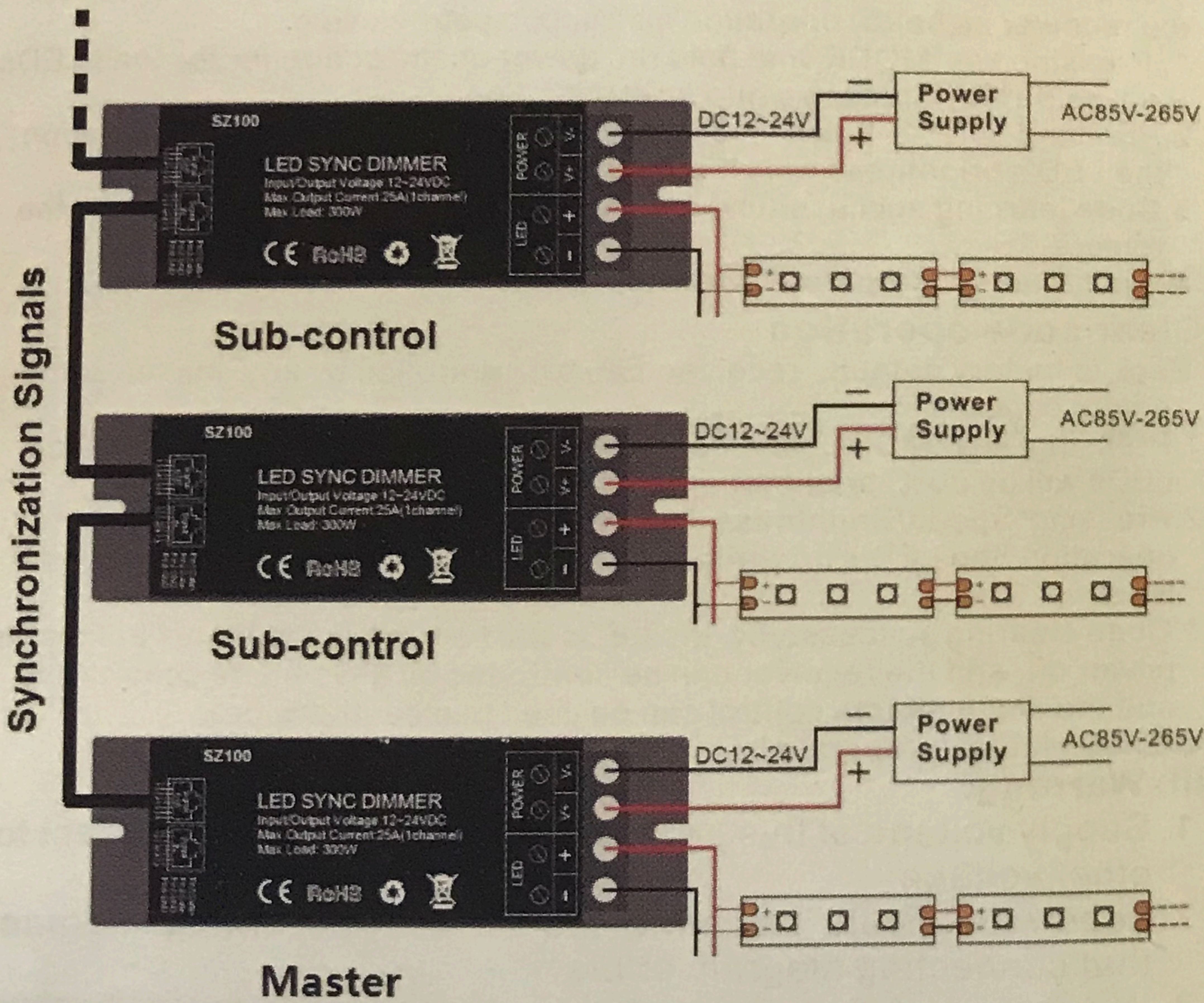


IV. Connect Diagram

1. Stand-alone work



2. Application synchronization



Tips: The green signal indicator light will uniform flash with proper communication, and will off with any incorrect signal connection (like: poor contact, confused input and output, wrong wire order).

USER MANUAL



RF TOUCH DIMMER